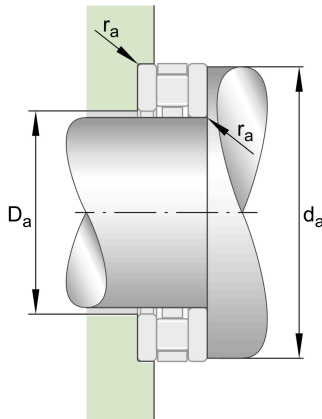
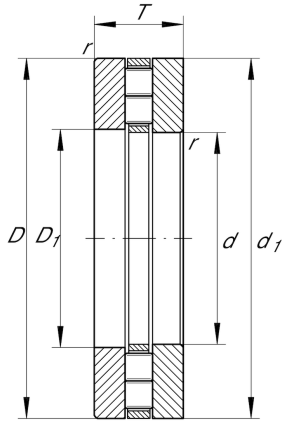
**89307-TV**

## Axial cylindrical roller bearing

Schaeffler ID:  
0003617710000Axial cylindrical roller bearings 893, single  
direction, comprising K893, GS, WS

## Technical information

**Main Dimensions & Performance Data**

d	35 mm	Bore diameter
D	68 mm	Outside diameter
T	20 mm	Height
$C_a$	80,000 N	Basic dynamic load rating, axial
$C_{0a}$	237,000 N	Basic static load rating, axial
$C_{ua}$	23,600 N	Fatigue load limit, axial
$n_G$	5,700 1/min	Limiting speed
$n_{gr}$	2,420 1/min	Reference speed
	0.003 kg	Weight

**Dimensions**

	K89307-TV	Axial roller and cage assembly
$D_1$	37 mm	Bore diameter housing washer
	GS89307	Housing Washer
$d_1$	68 mm	Rip diameter shaft washer
	WS89307	Shaft washer
B	20 mm	Width
$r_{min}$	1 mm	Minimum chamfer dimension
$D_{c1}$	35 mm	Cage bore diameter

**Mounting dimensions**

$d_a$	67 mm	Minimum diameter shaft shoulder
$D_a$	38 mm	Maximum diameter of housing shoulder
$r_a$	1 mm	Recess radius